

**Characteristics**

The electro-hydraulic pressure switch provides an electric signal when the sensed pressure goes above or below the selected setting.

**Function**

The spring loaded piston is hydraulically dampened. The PSB provides a very accurate hysteresis between the switching points (see diagram).

The required operating pressure is adjusted by the set-screw. Unauthorised adjustments can be prevented by the optional cylinder lock. The electric element is a micro switch with snap-action contact. Three terminals permit application as "On", "Off" or "Changeover" switch.

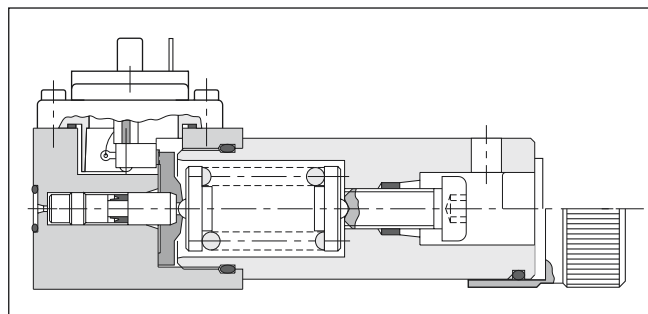
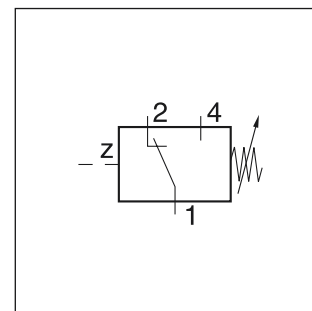
The electrical connection is made with a 3-pole plug-in connector to EN 175301-803 with ground.

**Note**

For inductive DC loads a spark discharger should be used to increase service life.

**Features**

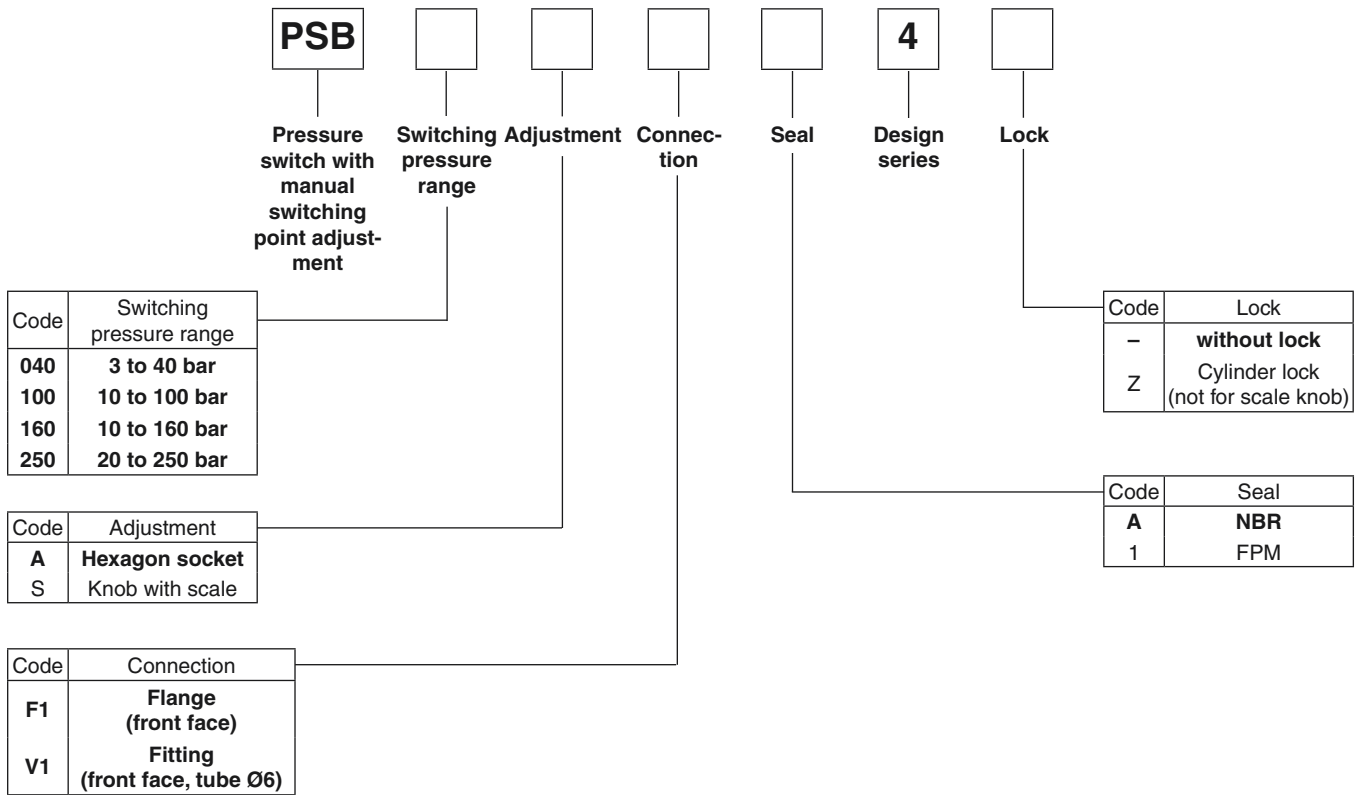
- Flange or pipe mounting
- 4 pressure ranges
- Can be used as opener or closer
- Cylinder lock optional



**Technical data**

Symbol	DIN 24340	
Design	plunger type switch	
Mounting	PSB*F1*	flange (front face)
	PSB*V1	pipe mounting
Mounting position	as desired	
Weight	[kg]	1.0
Operating pressure	[bar]	to 315
Actuating pressure difference	see diagram	
Duty cycle	max. 1/s	
Pressure fluid	mineral oil (HL, HLP) as per DIN 51524, other pressure fluid on request	
Temperature range	[°C]	0...80
Viscosity range	[mm²/s]	12...400
Electrical connection	plug-in connector to EN 175301-803	
Insulation	IP65 as per DIN 40050	
Contact load carrying capacity	5A at 250VAC; 1A at 50VDC; 0.2A at 250VDC	

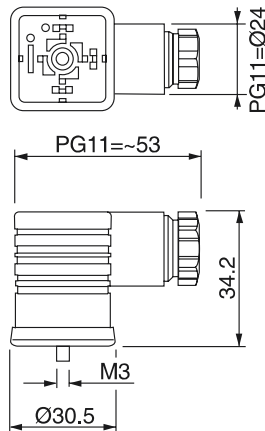
Ordering Code / Installation Examples



**Bold letters =**  
Short-term availability

Plug EN 175301-803

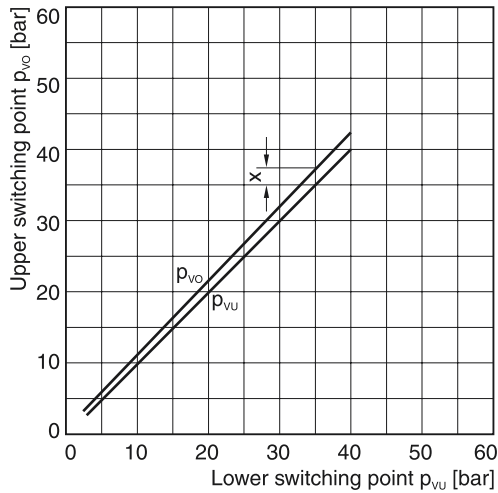
Description	Threaded cable joint	Ordering code
Plug EN 175301-803, design type AF, protection class IP 65	PG11	HR 21500157



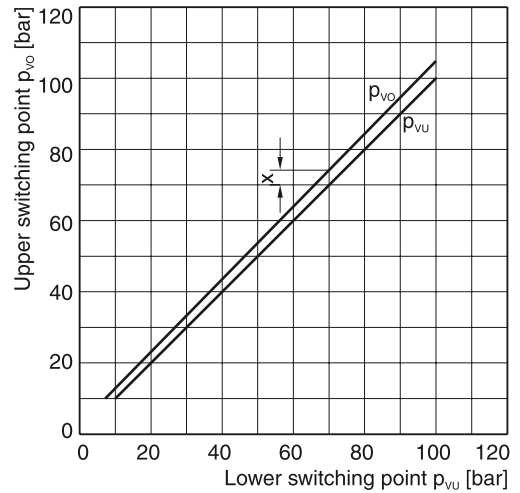
12

**Switching pressure difference**

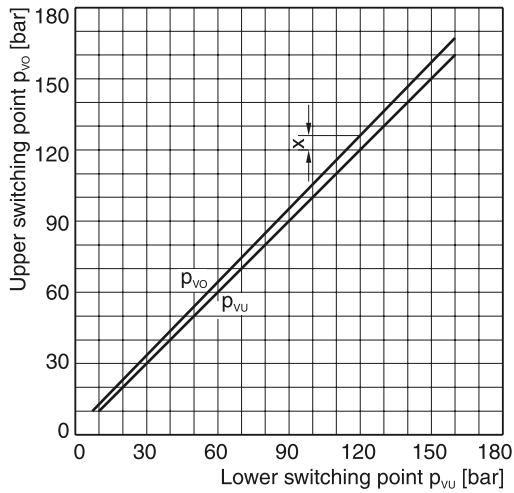
**PSB040**



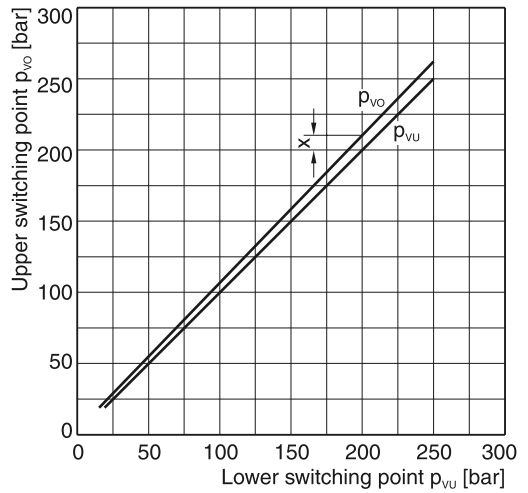
**PSB100**



**PSB160**

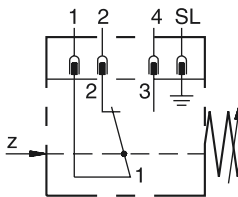


**PSB250**



X = switching differential

**Electrical connections**

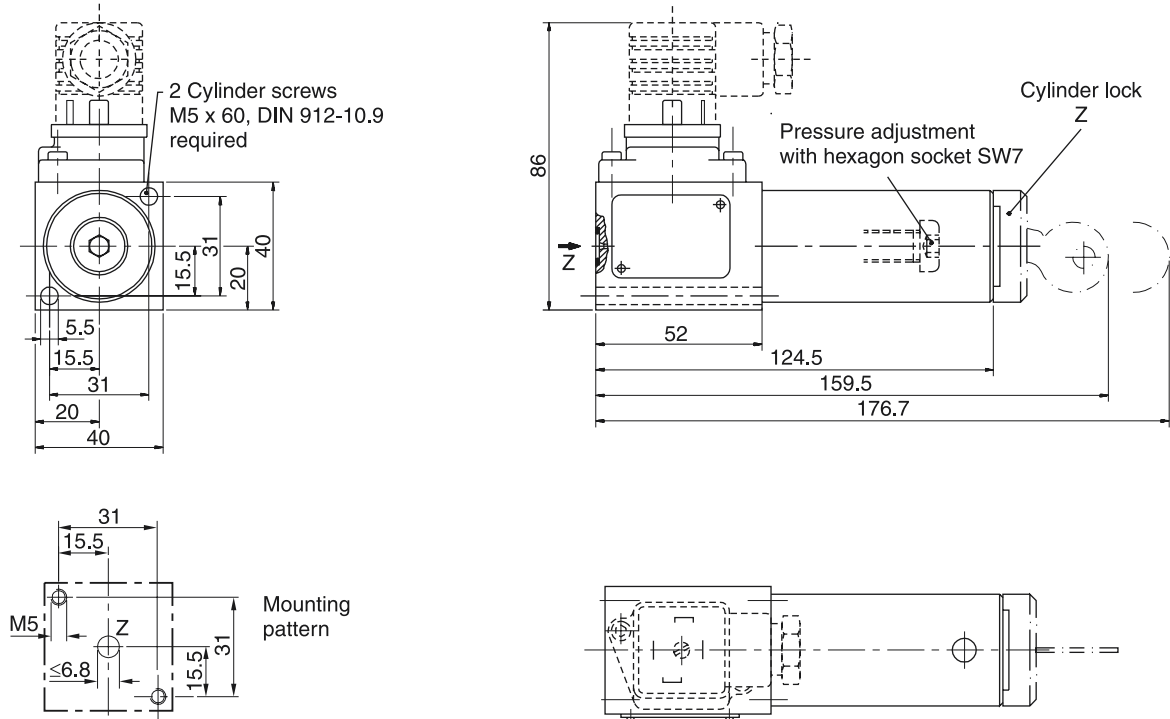


Electrical connection EN175301-803

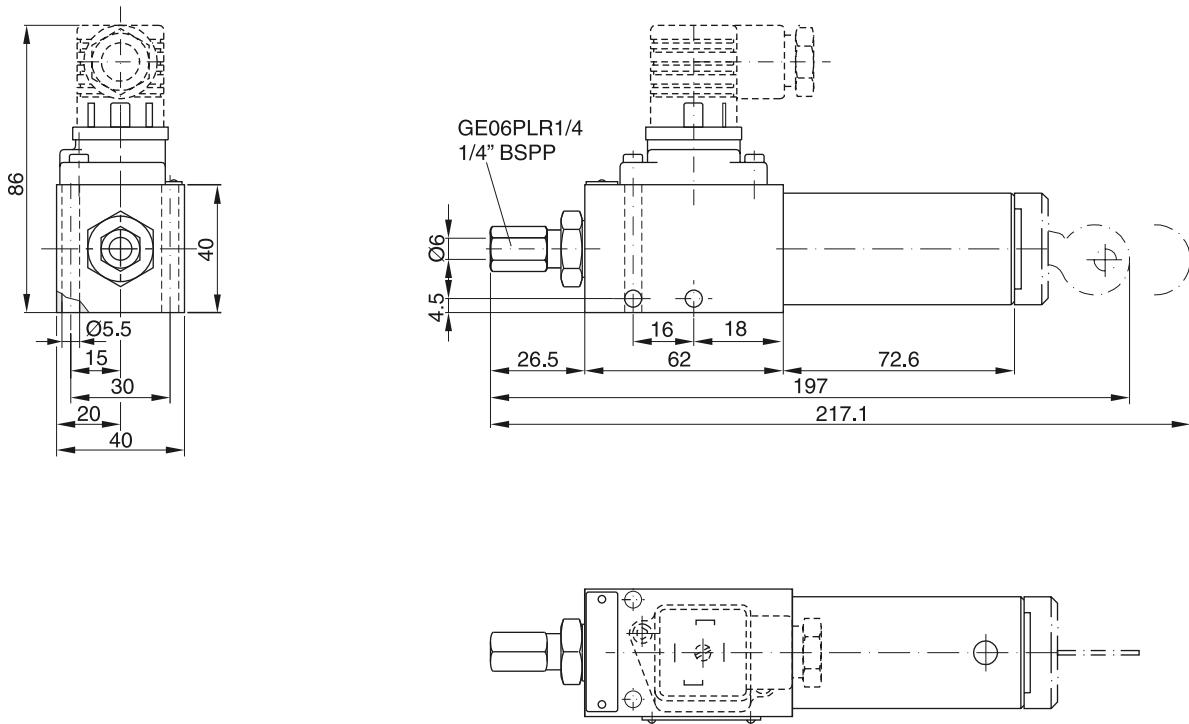
**Dimensions**

**Pressure Switch  
Series PSB**

**Type PSB\*F1\***



**Type PSB\*V1\***



12

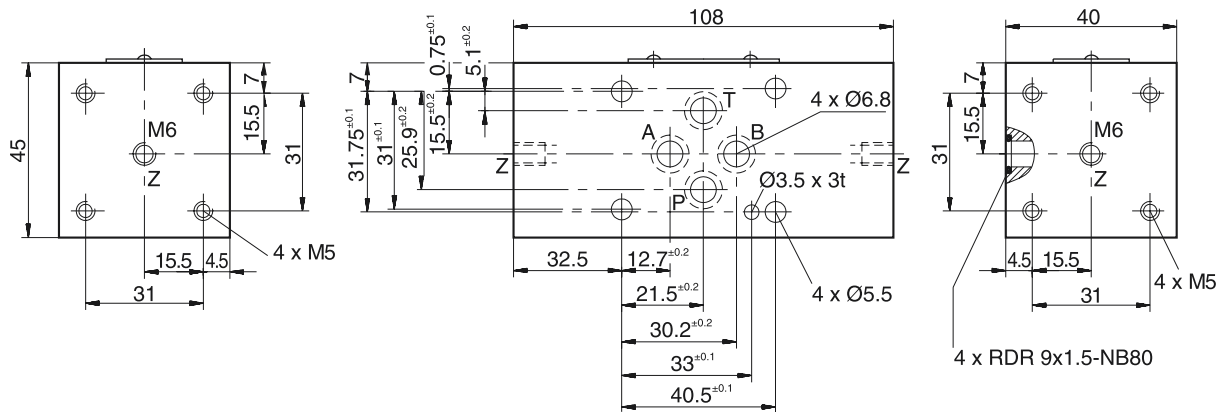


Technical Data

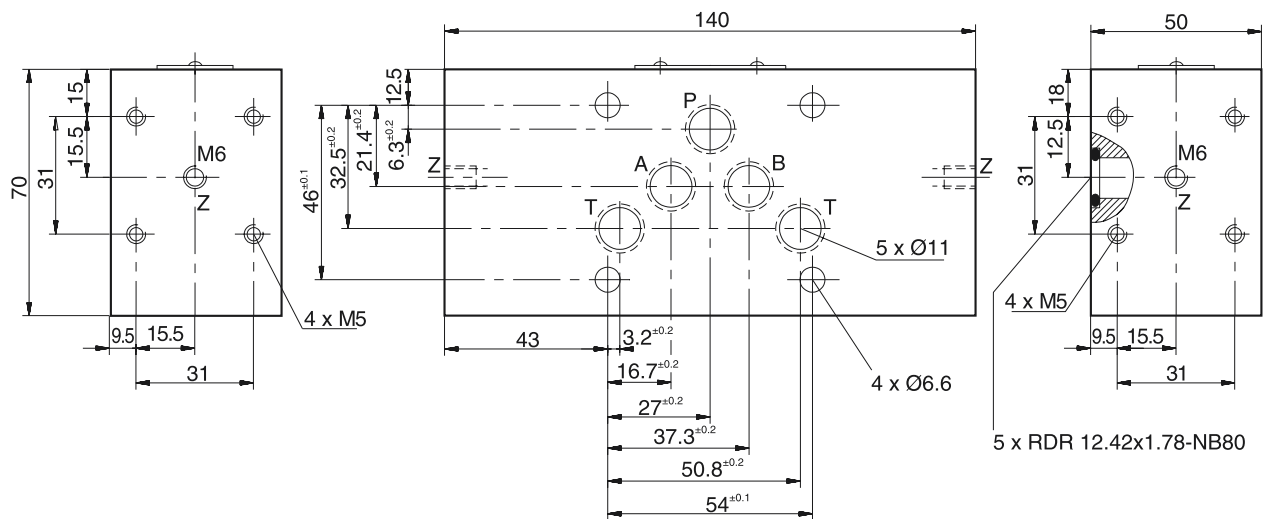
Switch code	Ordering code	Nominal size	Function
	H06PSB-994	06	<b>Pressure switch connection to A or B or A and B: Connections not used are closed by plug.</b>
	H10PSB-996	10	
	H06PSB-993	06	Pressure switch connection to P (left or right mounting is possible). Connection not used is closed by plug.
	H10PSB-995	10	

**Bold letters =**  
Short-term availability

Dimensions NG06



Dimensions NG10



12



